

# HILLCON



**HILLCON HSCX900 GLS**

- \* Leader length up to 50,7 meters*
- \* For driving prefab, steel and cast-in-situ piles.*
- \* Suitable for 500 kNm rotary head.*

**SPECIFICATIONS:**

<b>Engine</b>	<b>Type</b>	Isuzu 6HK1X (TIER 3)
	<b>Rated output</b>	212 kW (288 hp) at 2000 rpm
	<b>Max. Torque</b>	1125 N m / 1.500 rpm
	<b>Fuel tank</b>	415 Liter
<b>Leader</b>	<b>Max. Leader length</b>	50,7 meters
	<b>Max. rake position forward</b>	18.5 degrees (3:1)
	<b>Max. rake position backward</b>	18.5 degrees (3:1)
	<b>Max. correction sideways</b>	2.5 degrees (20:1)
	<b>Measurements leader guiding</b>	720 x 120 x 60 mm
	<b>Maximum extraction force:</b>	
	120 ton	on 8 part lines at 41,3 meter leader
	80 ton	on 8 part lines at 47,5 meter leader
	60 ton	on 8 part lines at 50,7 meter leader
<b>Bracket</b>	<b>Shortest size (bracket totally in)</b>	4.000 mm
	<b>Range</b>	1.000 mm
	<b>Height adjustments</b>	750 mm under normal 450 mm above normal
<b>Supports</b>	<b>Back support cylinders</b>	ca. 4.665 mm from centre slewing ring

**Weights HSCX 900 GLS:**

	<b>Weight (kg) Operational</b>	<b>Weight (kg) Transport position</b>	<b>Notes</b>
1 Base machine	Ca. 61.000	Ca. 61.000	Without counter weight and tracks
2 Tracks	19.500	19.500	2 x 9.750 kg
3 Counterweights	30.055		
4 Leader section	16.700		Excl. Transport piece / incl. leader head
5 Cylinder lock top cylinders	200	200	Cylinder to change rake positions
6 Lift platform	400		
7 Power pack frame	1.650		
8 Extra winches	2.500	2.500	3rd / 4th / lift winch
<b>Total</b>	<b>Ca. 131.910 kg</b>	<b>Ca. 63.700 kg</b>	

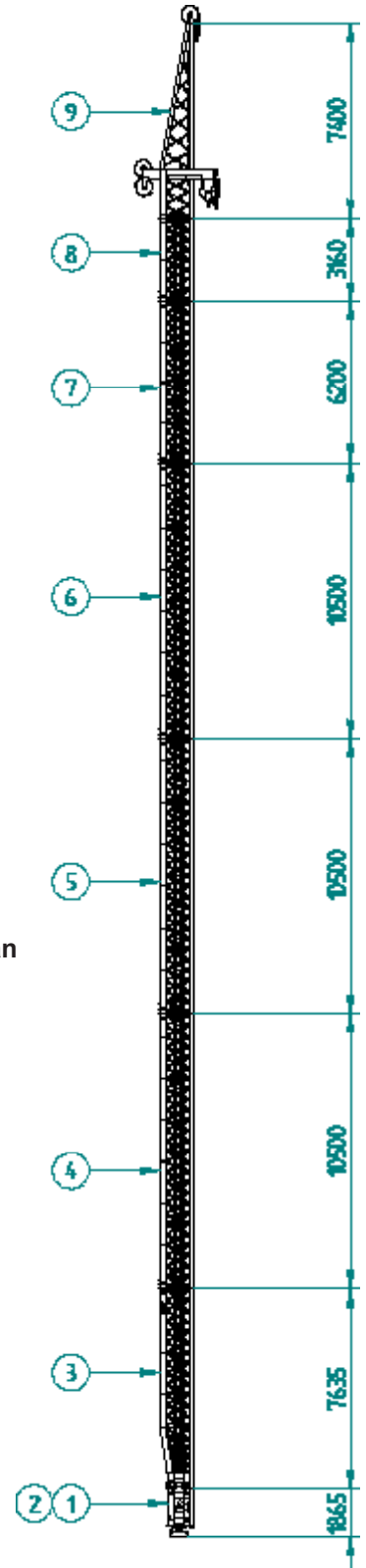
**Total machine weight without powerpack, powerpackframe, rotary head, pile or tube.**

## Construction leader for vibratory hammer and prefab

Construction leader sections	Height (m)	Weight (kg)
1 Foot piece	0,435	500
2 Foot section	1,430	900
3 Transport section	7,635	2.900
4 Leader 1st section	10,500	3.000
5 Leader 2nd section	10,500	3.000
6 Leader 3rd section	10,500	3.000
7 Leader 4th section	6,200	2.000
8 Leader 5th section	3,160	1.100
9 Leader head construction	7.400	3.200
10 <b>Total</b>	<b>57.760 meter</b>	<b>19.600 kg</b>

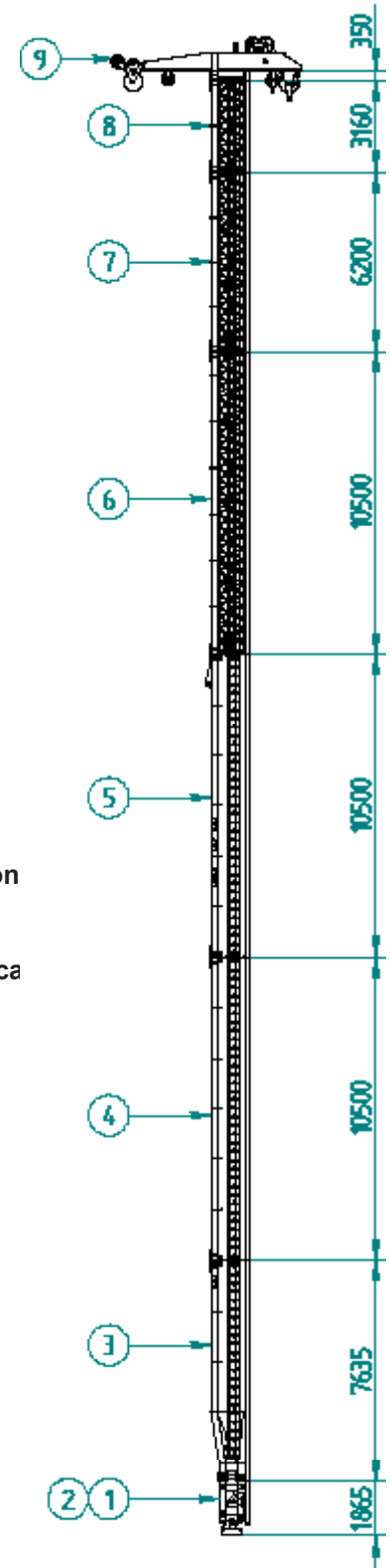
### Additional specifications leader:

- Leader foot section with hinge points for pile arms, including cylinders. Excluding pile arms (these can be supplied in addition).
- Lift guiding over whole leader
- Grating on backside of leader.
- Hydraulic Lines on transport section, 1st leader section and 2nd leader section. 2 x 2" pressure / return and 1¼ leak line. (SEA 38S 6000 PSI connection).
- Distance between frontside leader and heart hammer can be chosen between 570mm and 800mm.



## Box / construction leader for drill, vibro and prefab

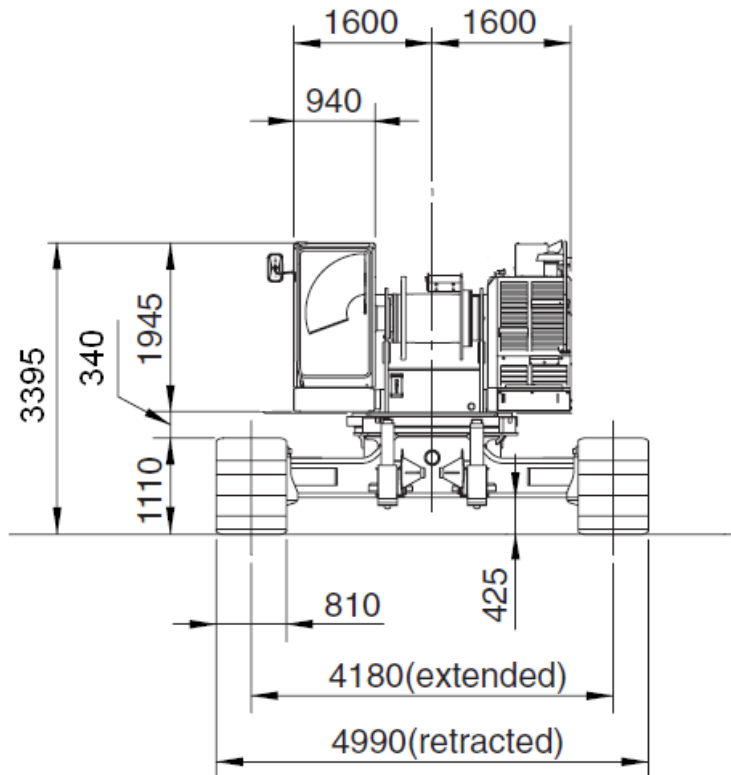
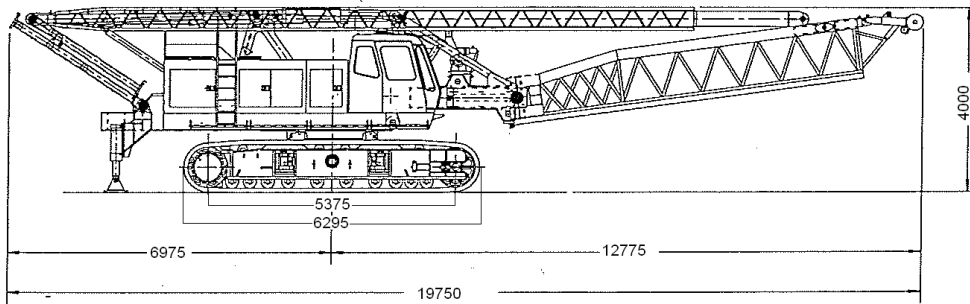
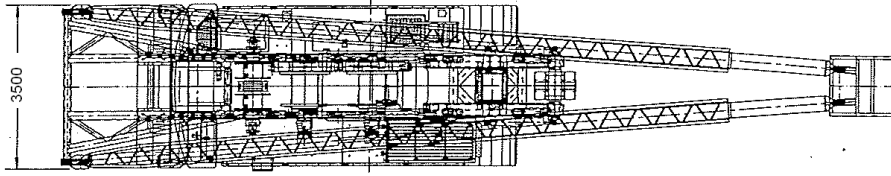
Box / constr. leader sections	Height (m)	Weight (kg)
1 Foot piece	0,435	500
2 Foot section	1,565	900
3 Transport section	7,500	3.550
4 Leader 1st section	10,500	4.420
5 Leader 2nd section	10,500	4.420
6 Leader 3rd section	10,500	3.000
7 Leader 4th section	6,200	2.000
8 Leader 5th section	3,160	1.100
9 Leader head box / constructionleader	0,350	3.200
10 <b>Total</b>	<b>50,710 meter</b>	<b>23.090 kg</b>



### Additional specifications leader:

- Leader foot section with hinge points for pile arms, including cylinders. Excluding pile arms (these can be supplied in addition).
- Lift guiding over whole leader
- Grating on backside of leader.
- Hydraulic Lines on transport section, 1st leader section and 2nd leader section. 2 x 2" pressure / return and 1¼ leak line. (SEA 38S 6000 PSI connection).
- Distance between frontside leader and heart hammer ca chosen between 570mm and 800mm.

# HILLCON



Winches	Cable diameter (Standard)	Set line pull	Max line pull	Nr. of parts
1 Main winch	26 mm	196 kN	196 kN	2
2 Service winch	26mm	150 kN	196 kN	8
3 3rd winch	20 mm	80 kN	80 kN	2
4 4th winch	14 mm	30 kN	30 kN	2
5 Lift winch	10 mm	8 kN	0.8 t	1
6 Erection winch	22.4 mm	125 kN	156 kN	12

### Placement of the winches:

- |    |                |                                    |
|----|----------------|------------------------------------|
| 1. | Main winch     | Next to cabine on baseframe.       |
| 2. | Service winch  | Behind main winch on baseframe.    |
| 3. | 3rd winch      | Between main and service winch.    |
| 4. | 4th winch      | On bracket.                        |
| 5. | Lift winch     | On bracket.                        |
| 6. | Erection winch | Behind service winch on baseframe. |

